

## DESCRIPTION

AMC MODEL AGT-2000-30DD IS A BROAD BAND VARIABLE ATTENUATOR/MODULATOR, CONTROLLED BY 8 BIT POSITIVE TRUE BINARY LOGIC.

## SPECIFICATIONS

- FREQUENCY RANGE ..... 950 MHz - 2.15 GHz MINIMUM
- INSERTION LOSS ..... 3.5 dB MAXIMUM
- ATTENUATION FLATNESS (± dB MAXIMUM) .....
 

0-15 dB	±0.5 dB	MAXIMUM
15-20 dB	±1.0 dB	MAXIMUM
20-25 dB	±1.5 dB	MAXIMUM
25-30 dB	±2.0 dB	MAXIMUM
- ATTENUATION ACCURACY .....
 

0-10 dB	±2.0 dB	MAXIMUM
10-20 dB	±1.0 dB	MAXIMUM
20-30 dB	±1.5 dB	MAXIMUM
- RISE TIME ..... 3uSec MAXIMUM
- FALL TIME ..... 3uSec MAXIMUM
- SWITCHING TIME ..... ON: 25uSec OFF: 10uSec
- VSWR ..... 2.0:1 MAXIMUM , 1.75 TYPICAL (@ 0dB ATTENUATION)
- RF POWER RATINGS
 

OPERATING	+10 dBm CW MAXIMUM
	+20 dBm TYPICAL
SURVIVAL	+30 dBm CW MAXIMUM
- CONTROL ..... 8 BIT TRUE BINARY LOGIC
- POWER SUPPLY .....
 

	+12VDC @ 250 mA MAXIMUM
	(210 mA TYPICAL)
	-12VDC @ 50 mA MAXIMUM
	(30 mA TYPICAL)
- CONNECTORS
 

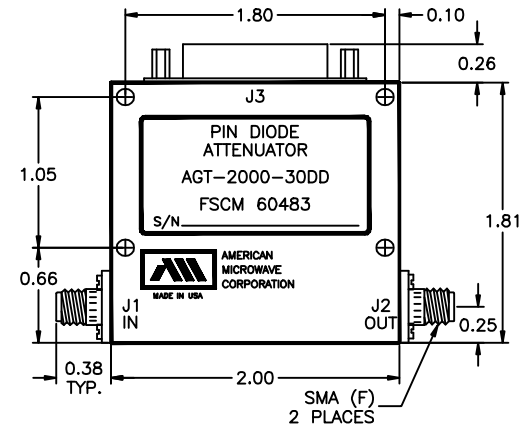
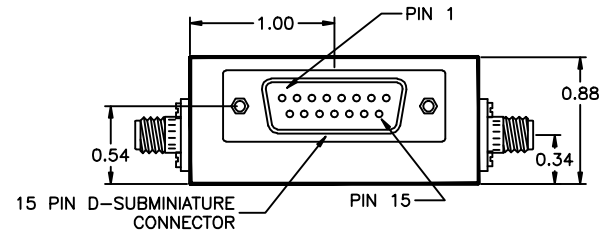
RF INPUT/OUTPUT	SMA FEMALE
POWER AND CONTROLS	15 PIN D-SUBMINIATURE (MALE)
	MATING CONNECTOR FURNISHED
- SIZE ..... 2.00" x 1.81" x 0.88"

## OPTIONS:

- 950M2 ..... FREQUENCY RANGE 950MHz TO 2.15GHz
- 006 ..... 0-30 DB RANGE

NOTE: SPECIFICATIONS WILL VARY OVER OPERATING TEMPERATURE  
 NOTE: THE ABOVE SPECIFICATIONS ARE SUBJECT TO CHANGE OR REVISION

REVISIONS				
ZONE	REV.	DESCRIPTION	DATE	APPROVED
-	-	ORIGINAL RELEASE	JOB# 609170N	11/07/06



8 BIT TRUE BINARY LOGIC	
J3 PIN FUNCTIONS	
PIN NO.	FUNCTIONS.
1	GND
2	N/C *
3	N/C *
4	GND
5	0.25 dB (LSB)
6	0.5 dB
7	1.0 dB
8	2.0 dB
9	4.0 dB
10	8.0 dB
11	16.0 dB
12	32.0 dB
13	+V
14	-V
15	N/C *

\* N/C = NO CONNECTION

## ENVIRONMENTAL RATINGS

- TEMPERATURE ..... -55°C TO +125°C (OPERATING)  
-65°C TO +125°C (STORAGE)
- HUMIDITY ..... MIL-STD-202F, METHOD 103B COND. B
- SHOCK ..... MIL-STD-202F, METHOD 213B COND. B
- VIBRATION ..... MIL-STD-202F, METHOD 204D COND. B
- ALTITUDE ..... MIL-STD-202F, METHOD 105C COND. B
- TEMPERATURE CYCLE ..... MIL-STD-202F, METHOD 107D COND. A

## AMERICAN MICROWAVE CORPORATION

7311-G GROVE ROAD  
 FREDERICK, MARYLAND 21704 USA  
 TEL: 301-662-4700 FAX: 301-662-4938  
 WEBSITE: [www.americanmicrowavecorp.com](http://www.americanmicrowavecorp.com)  
 E-MAIL: [sales@americanmicrowavecorp.com](mailto:sales@americanmicrowavecorp.com)  
 ISO 9001:2000 CERTIFIED



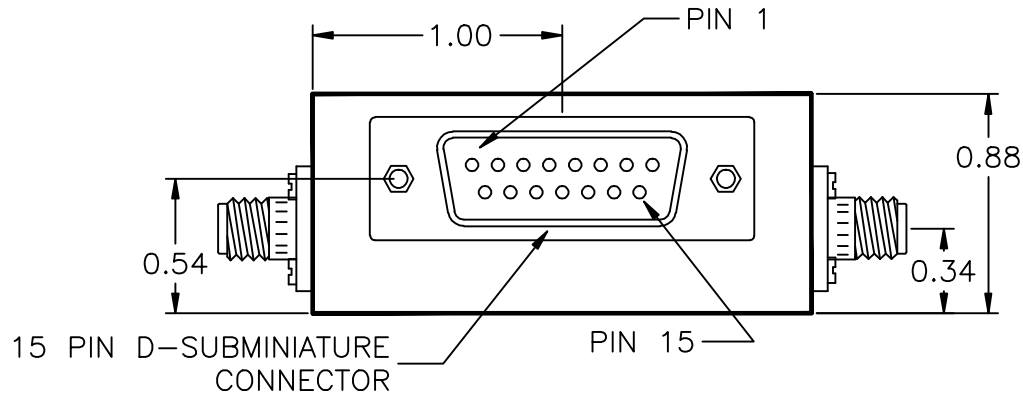
APPROVALS		DATE	TITLE		
DRAWN		11/07/06	PRODUCT FEATURE		
REDRAWN			AGT-2000-30DD		
ISSUED			OPTIONS: 950M2, 006		
			PROGRAMMABLE VARIABLE ATTENUATOR		
SIZE	FSCM NO.	DWG NO.	REV.		
A	60483	100-3127-005	-		
SCALE N:S		SHEET		1 OF 4	

ALL DIMENSIONS ARE IN INCHES  
 TOLERANCES:  
 X.XX ±0.020  
 X.XXX ±0.010  
 WEIGHT: APPROX. 4.0 oz.

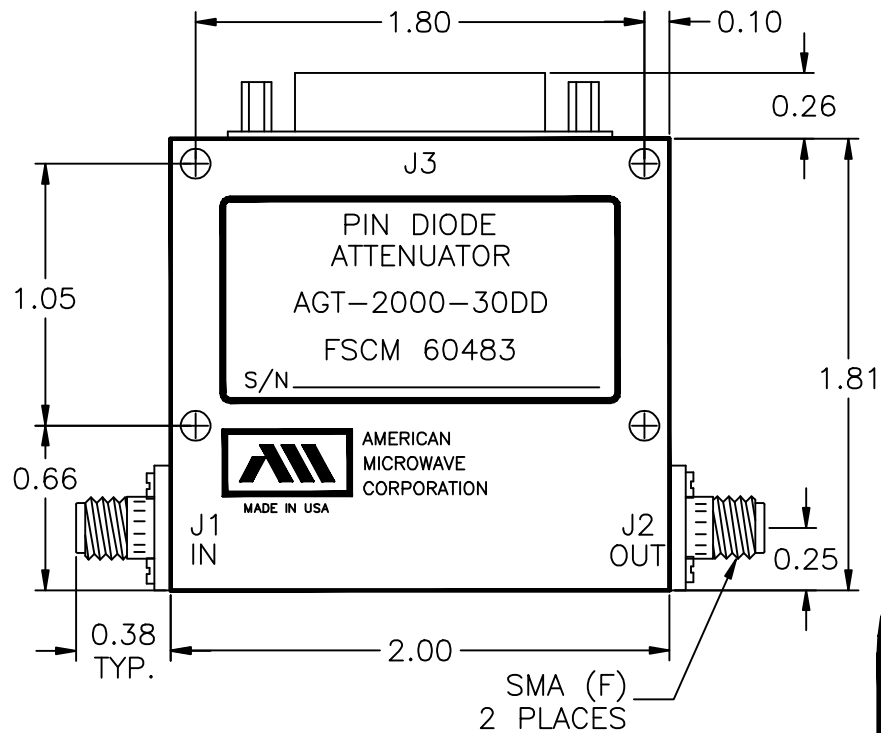
**DESCRIPTION**

AMC MODEL AGT-2000-30DD IS A BROAD BAND VARIABLE ATTENUATOR/ MODULATOR, CONTROLLED BY 8 BIT POSITIVE TRUE BINARY LOGIC.

REVISIONS				
ZONE	REV.	DESCRIPTION	DATE	APPROVED
	-	ORIGINAL RELEASE JOB# 609170N	11/07/06	



**MECHANICAL OUTLINE**



ALL DIMENSIONS ARE IN INCHES  
TOLERANCES:  
X.XX ±0.020  
X.XXX ±0.010

**AMERICAN MICROWAVE CORPORATION**

7311-G GROVE ROAD  
FREDERICK, MARYLAND 21704 USA  
TEL: 301-662-4700 FAX: 301-662-4938  
WEBSITE: [www.americamicrowavecorp.com](http://www.americamicrowavecorp.com)  
E-MAIL: [sales@americamicrowavecorp.com](mailto:sales@americamicrowavecorp.com)  
ISO 9001:2000 CERTIFIED

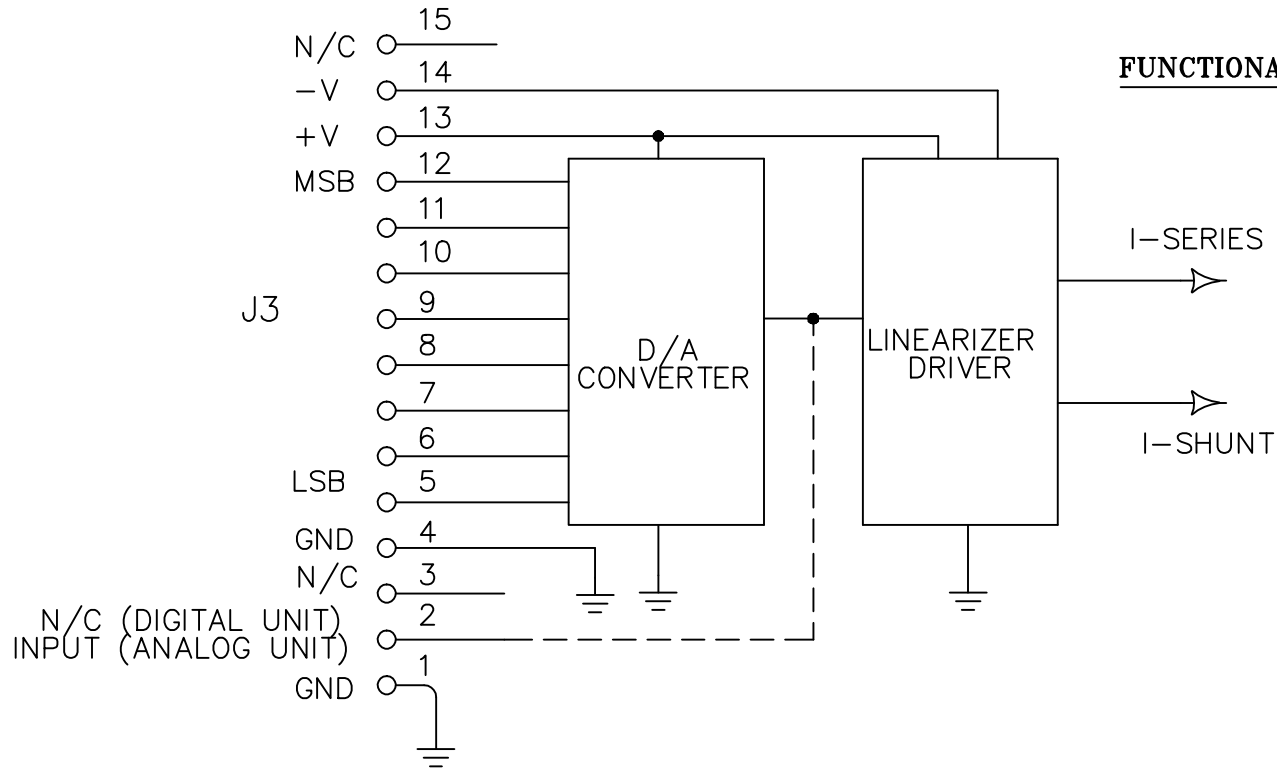


APPROVALS		DATE	TITLE		REV.
DRAWN <i>PRB</i>		11/07/06	MECHANICAL OUTLINE AGT-2000-30DD		-
REDRAWN			OPTIONS: 950M2, 006		
ISSUED			PROGRAMMABLE VARIABLE ATTENUATOR		
SIZE	FSCM NO.	DWG NO.			
A	60483	100-3127-005			
SCALE N:S		SHEET		2 OF 4	

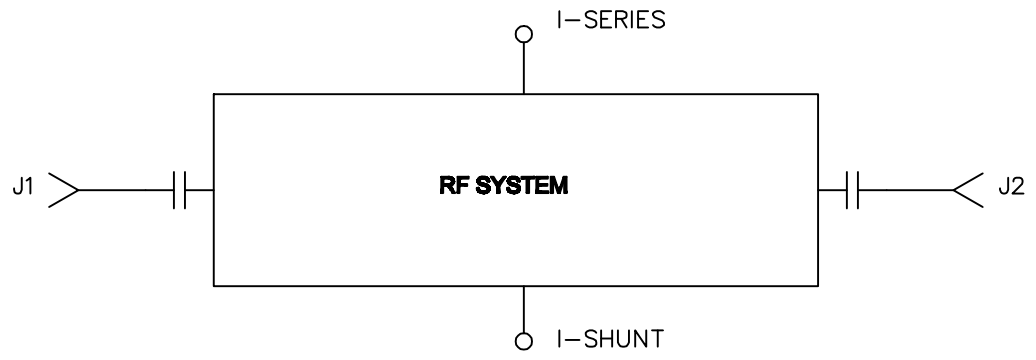
**DESCRIPTION**

AMC MODEL AGT-2000-30DD IS A BROAD BAND VARIABLE ATTENUATOR/ MODULATOR, CONTROLLED BY 8 BIT POSITIVE TRUE BINARY LOGIC.

REVISIONS				
ZONE	REV.	DESCRIPTION	DATE	APPROVED
	-	ORIGINAL RELEASE JOB# 609170N	11/07/06	



**FUNCTIONAL BLOCK DIAGRAM**



**CONFIDENTIAL AND PROPRIETARY**

**AMERICAN MICROWAVE CORPORATION**

7311-G GROVE ROAD  
 FREDERICK, MARYLAND 21704 USA  
 TEL: 301-662-4700 FAX: 301-662-4938  
 WEBSITE: [www.americanmicrowavecorp.com](http://www.americanmicrowavecorp.com)  
 E-MAIL: [sales@americanmicrowavecorp.com](mailto:sales@americanmicrowavecorp.com)  
 ISO 9001:2000 CERTIFIED



APPROVALS		DATE		TITLE			
DRAWN		11/07/06		FUNCTIONAL BLOCK DIAGRAM			
REDRAWN				AGT-2000-30DD			
ISSUED				OPTIONS: 950M2, 006			
				PROGRAMMABLE VARIABLE ATTENUATOR			
SIZE	FSCM NO.	DWG NO.	REV.				
A	60483	100-3127-005	-				
SCALE N:S				SHEET		3 OF 4	